



SKYWORKS®

Simplify 5G Massive IoT LTE-M/NB Platforms

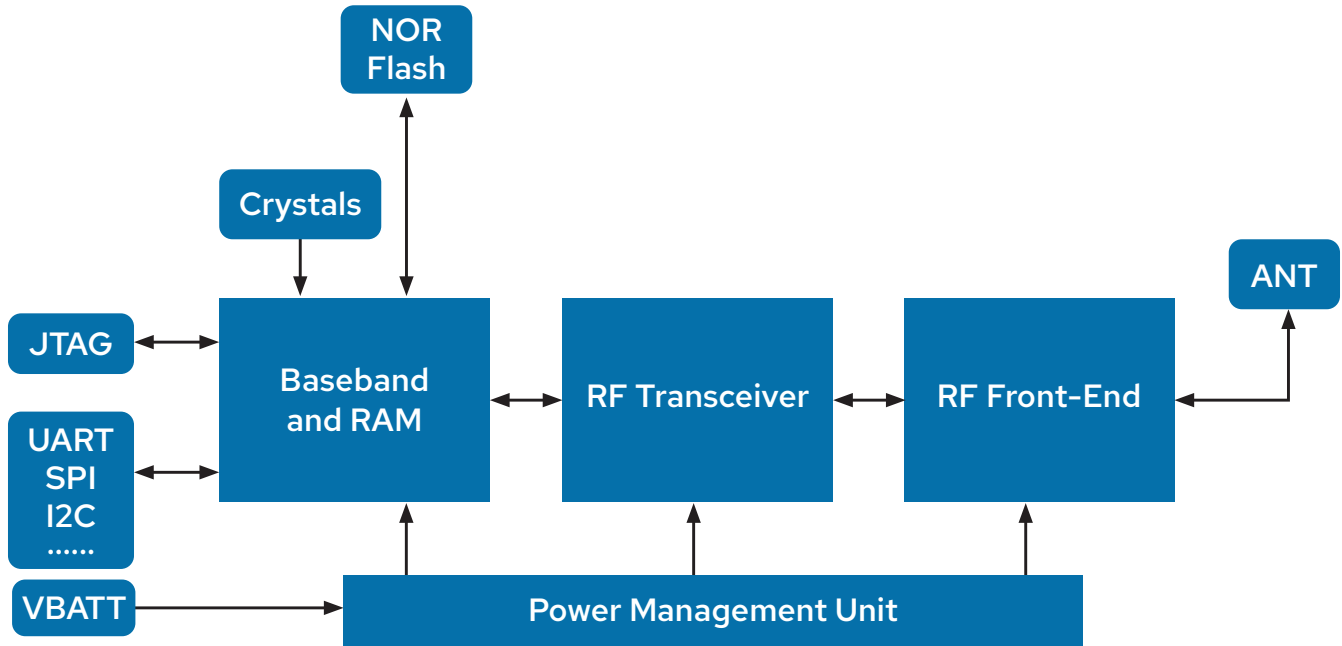


Compact, low power consumption integrated solutions from Skyworks simplify multi-band LTE radio systems. The SKY66431-11 features an integrated front end, transceiver, power management, memory, crystals and a baseband modem on a single 8.8 x 11.3 mm BGA package. The solution includes the Sequans Monarch 2 SQN3430 chipset. Add NOR flash and a few passives to complete the 5G solution.

skyworksinc.com

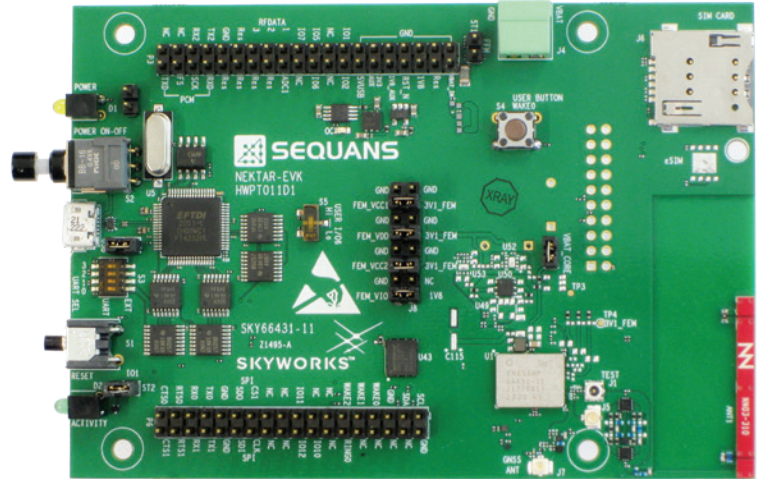
Featured Product

SKY66431 5G Massive IoT System-in-Package



Features

- A fully integrated 5G Massive IoT CAT M1/M2/NB-IoT modem and RF front-end in a single 8.8 x 11.3 x 1.585 mm BGA package
- Integrated baseband, transceiver, RF front end, RAM memory, crystals, and power management
- Compliant to 3GPP Rel-14, upgradeable to 3GPP Rel-15 and 16
- Optimized for half-duplex operation (HD-FDD) for LTE-M/NB-IoT
- Certified with major MNOs, FCC, ISED/IC, RED, UKCA, ACMA, and GCF/PTCRB
- Ag-free package with integrated shielding
- Industry, regulatory and carrier certifications



Part Number	Description	Package
SKY66431-11	5G Massive IoT system-in-package	BGA, 8.8 x 11.3 x 1.585 (max.) mm